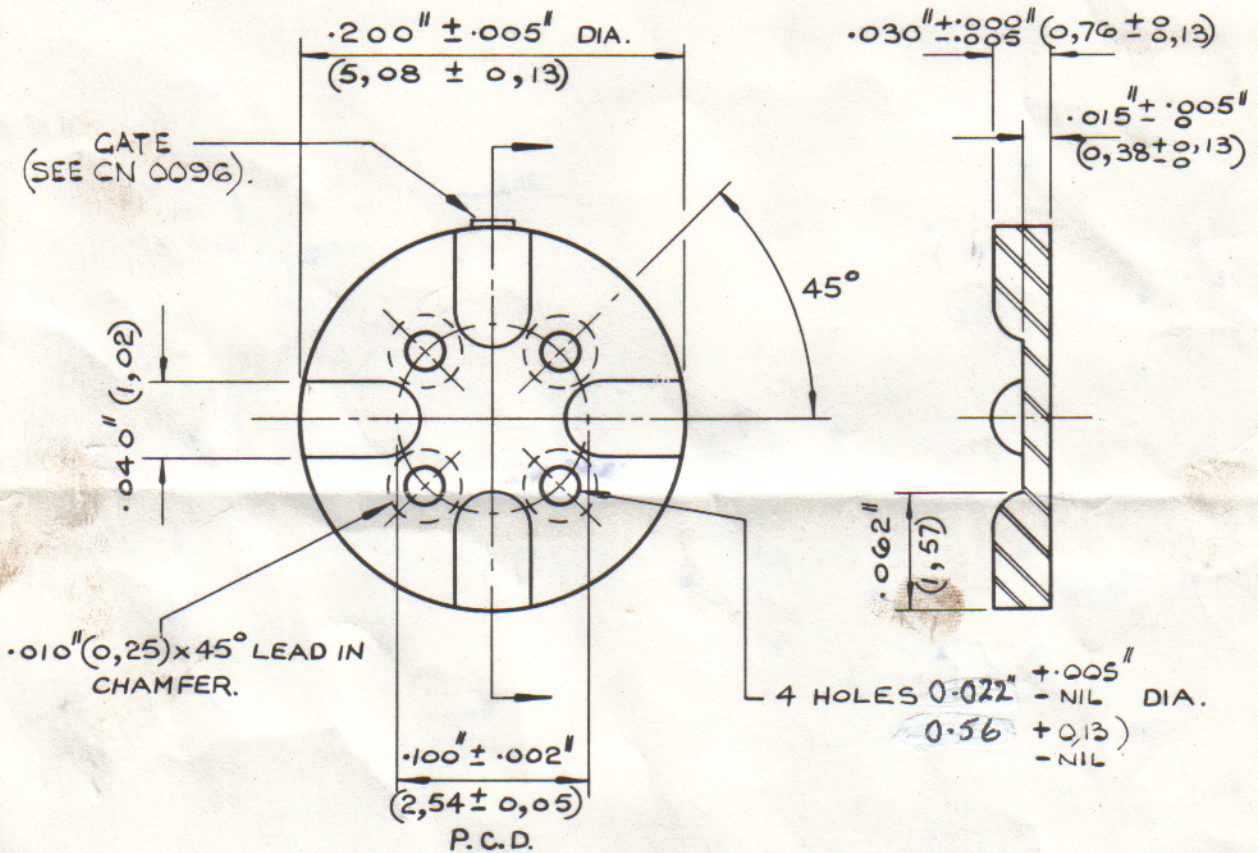


DRG. No.

A 18-1015.

FOR EXPLANATION OF DIMENSIONING, ETC. SEE B.S.308
 REMOVE ALL BURRS & SHARP EDGES.
 A RADIUS OR CHAMFER .02 (MAX.) IS PERMITTED IN CORNERS
 OF BLIND HOLES, RECESSES & STEPS.

THIRD ANGLE PROJECTION



Type	Part No	Matl
T018-01SD	J18-101SD	A1406.

5. 1. 73 G CN N° 0096. RN

DATE	CHANGES	
12-9-73	C	RE-DRAWN, METRIC ADDED.
14-1-77	D	MATERIAL AMENDED.
10.3.78	E	Drq N° has A12-A Part P/N added
17.5.78	F	HOLES WERE .020" ± .001" DIA. RN.

TOLERANCE	DRAWN	B-LANE
$\pm .010''$ ($0,25$) U.O.S.	TRACED	
MATERIAL	CHECKED	J. WINSLOW.
	DATE	12-9-73

TITLE	SCALE: 10-1	DRG. No.
9-1-95 G 4 HOLES INCREASED TO $.022'' \pm .0005''$ DIA. RN.	DIMS. INCHES (mm)	A 18-1015.

JERMYN INDUSTRIES

VESTRY ESTATE, OTFORD, NR. SEVENOAKS, KENT.

A SIZE.